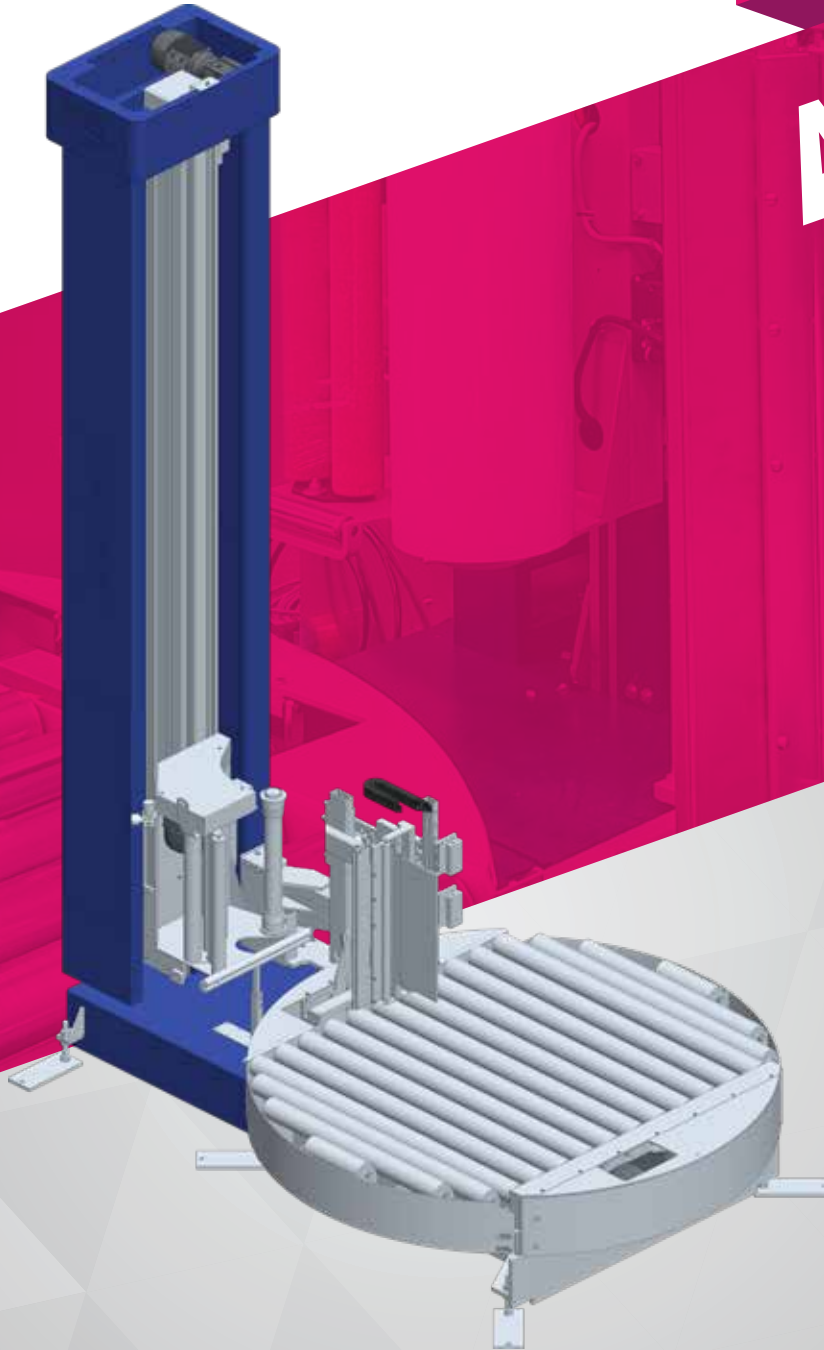




WRAPPING

MOD.
AV300



 **Applications**



Cardboards



Paper



Bags

AV300

AV300.EN

The AV300 turntable wrapping machine with motorized roller conveyor, is ideal for mid-range productions. The machine is equipped with a completely automatic film holding, cutting and welding device and with a motorized pre-stretch system which greatly reduces film consumption. It can also be equipped with a completely automatic top

sheet application device which unrolls the necessary amount of film during the pack pre-winding phase. The standard machine features a stretching system managed by an electromagnetic brake powered by an electronic card which, through a graduated scale potentiometer, makes it possible to tension the film directly on the pack.

Technical data

Power supply

Voltage	400V 3Phases (50Hz)
Installed power	~ 3,0 kW

Air supply

Pressure	5,5 ÷ 6,5 bar
Consumption	~ 30 NL/cycle

Film coil size

Width	500 mm
Max external diameter	250 mm
Max weight	~ 20 kg

Production

Capacity	Up to 35 packs/h
----------	------------------

Pack size (standard machine)

Long side Min./Max.	800 / 1200 mm
Short side Min./Max.	800 / 1000 mm
Height Min./Max.	500 / 1800 mm

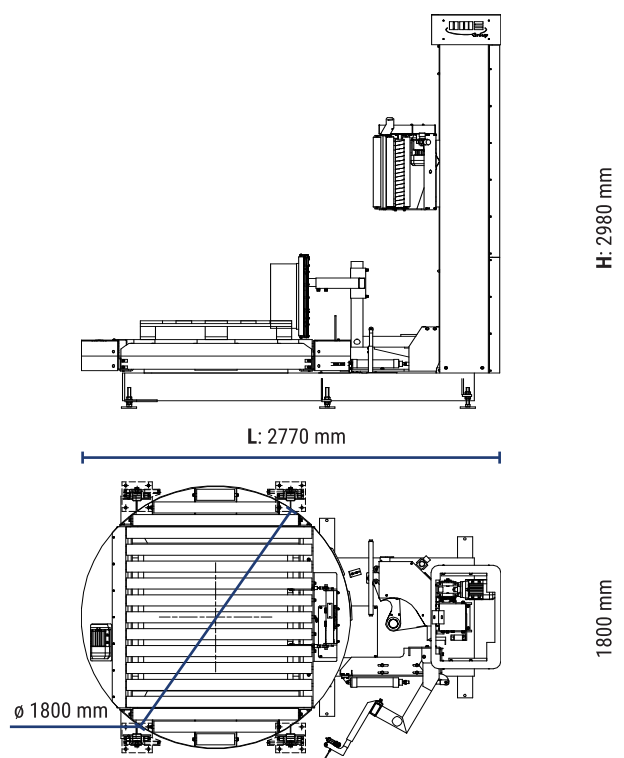
Transport

Minimum height	500 mm
----------------	--------

Options:

- > Top press, stabilizer
- > Roping device

Machine standard dimensions



Welding & Cutting device



Officina Meccanica Sestese S.p.A.

Via Borgomanero, 44 - 28040 Paruzzaro (NO)

Tel. +39 0322 541411 Fax +39 0322 53157

www.omsspa.com

info@omsspa.com

As a part of our policy of continuous improvement, we reserve the right to alter design and specifications without prior notice. This brochure is for descriptive purpose only. Some of the items pictured in this brochure are optional and not standard equipment.