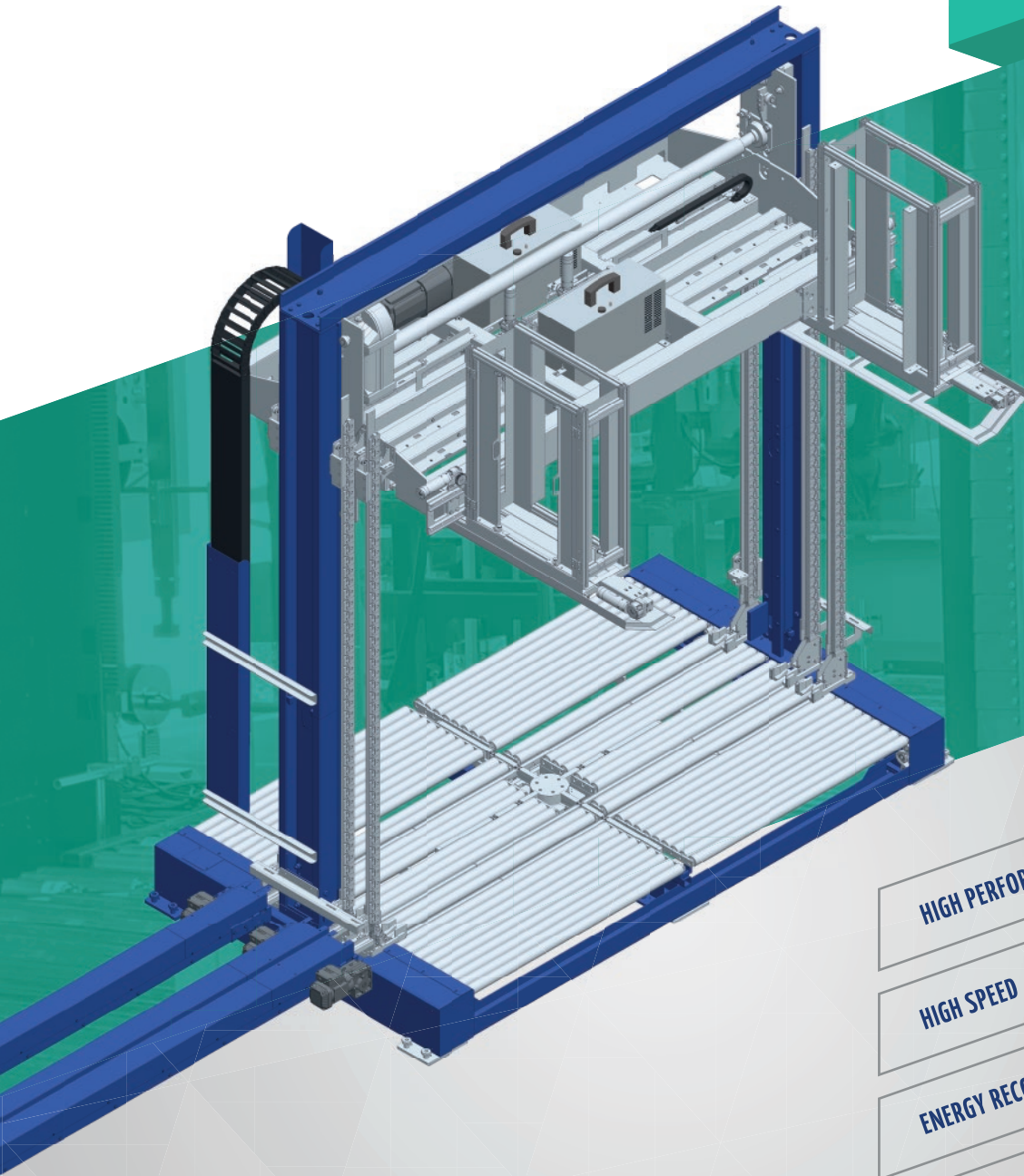




STRAPPING

MOD. PRESS MASTER PLUS

NEW!
Also available with
VYBRO PLUS sealing



- HIGH PERFORMANCE
- HIGH SPEED
- ENERGY RECOVERING SYSTEM
- SAFETY LOCK SYSTEM
- FULLY AUTOMATIC STRAP LOADING SYSTEM
- FULLY AUTOMATIC STRAP EXCHANGE SYSTEM
- FULLY AUTOMATIC STRAP REFEEDING SYSTEM (HEAD)

Applications



Cardboards

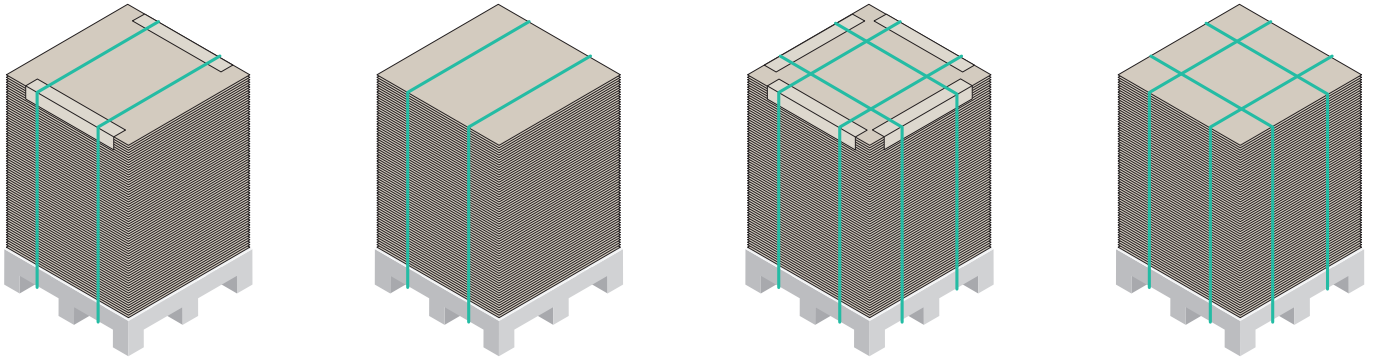


Paper

PRESS MASTER PLUS

The fully automatic vertical strapping machine PRESS MASTER PLUS automatically applies vertical straps. The machine is designed to be installed into a fully automatic production line.

Possible types of strapping



Lift and turn cross



Cardboard dispenser



Technical data

Compression

Compression force up to 36.000 N

Power supply

Working voltage 3/PE, 380 -415 V, AC 50 Hz

Control voltage 24 V, DC

Total connection ~ 6,5 kVA

Standard machine dimensions

Applicable strapping heads

VYBRO Plus / SONIC Plus / TR1400 / TR1400HD

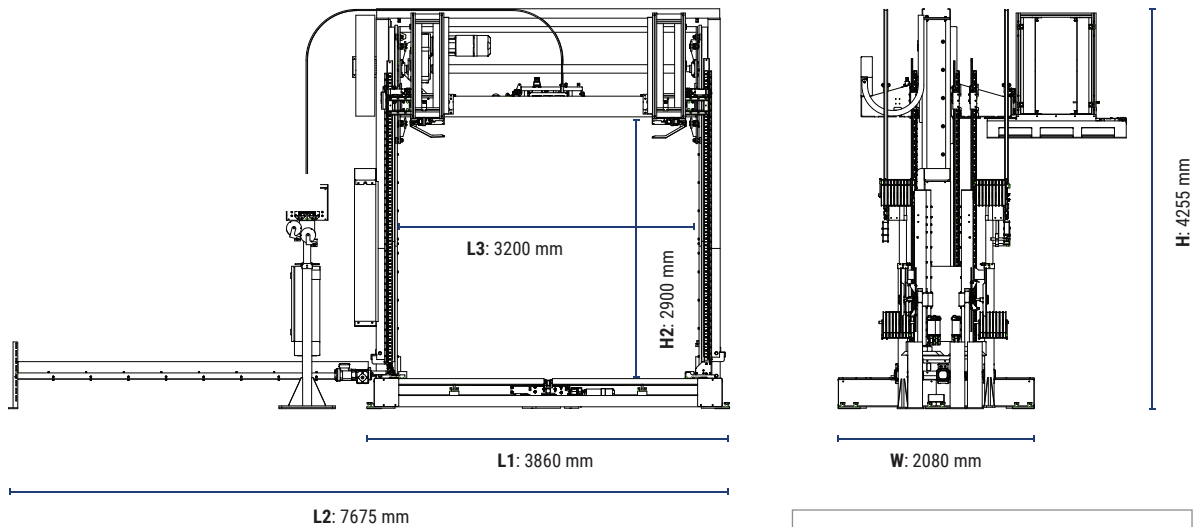
Strap

Type of strap Polyester (PET) - Polypropylene (PP)

Capacity of the system

(2x0) double strapping up to 200 pallets / hour *

* Depending on pack sizes, conveyor speed and strapping head



Machine model: SPL-A-32-32/29-36

Options

- > High speed drive package
- > Energy recovering system
- > Service function (hinged 90°)
- > Closed lower strap tracks
- > Preselection pallet height
- > Fully automatic strap loading system
- > Fully automatic strap exchange system
- > Fully automatic strap refeeding function (head)
- > Pre-scanning end of strap
- > Automatic safety Lock system (Duo)
- > TOP edge card board applicator 750 x 250
- > BOTTOM edge card board applicator 750 x 250
- > Lifting and turn cross
- > Turn disk
- > Centering device



Friction Sealing Technology

Strapping head VYBRO PLUS

Strap/coil options	Polyester or Polypropylene ID 406mm x W 150mm
Strap width	9 & 12 mm
Strap thickness	0,4 - 0,6 mm
Sealing	Friction Sealing
Tensioning	Up to 1500N w/h HMI adjustment
Weight	25 kg

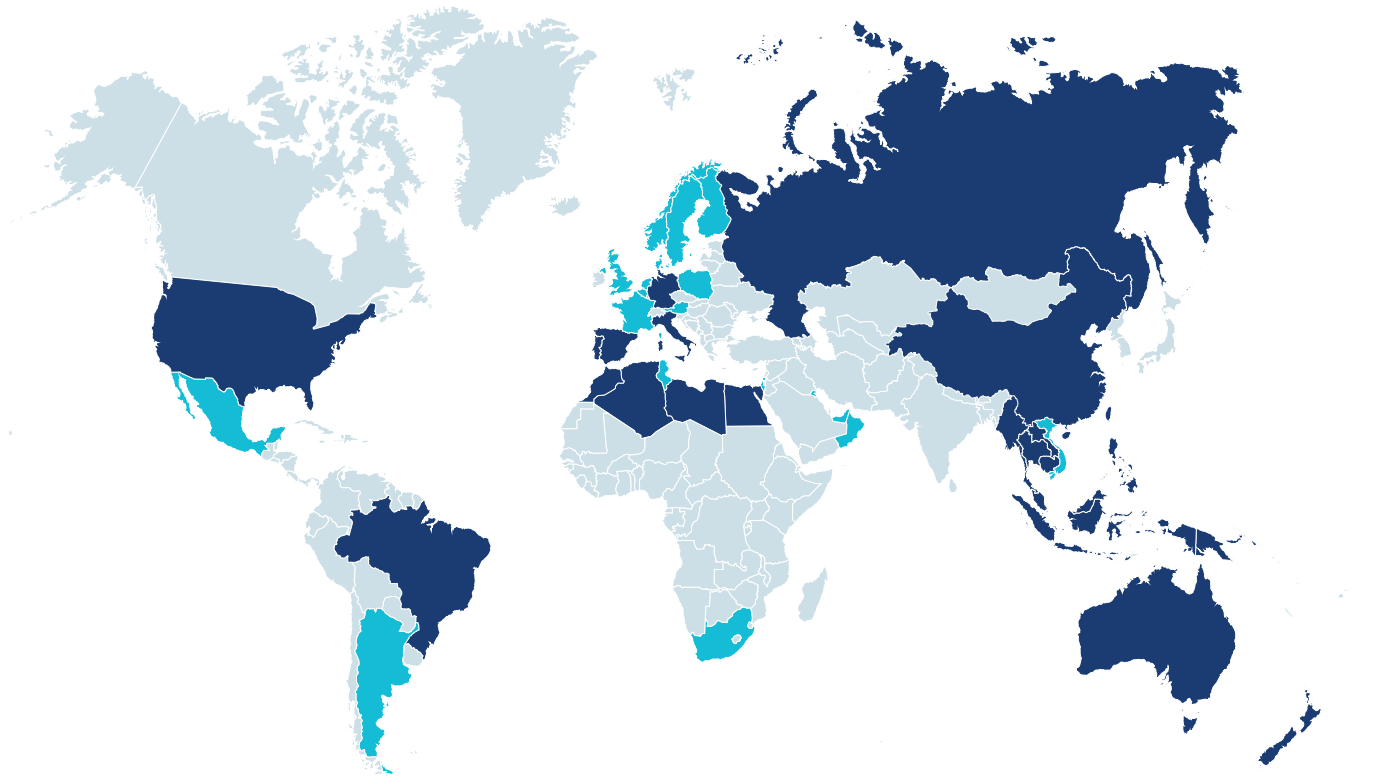
NEW GENERATION

HIGH PERFORMANCE

VERY COMPACT (ONLY 25 KG)

EASY HANDLING

OMS in the World



● Subsidiaries ● Distributors

ITALY www.omsspa.com www.omstrap.it www.marpak.it	GERMANY www.oms-ips.com	SPAIN www.omsespana.com	PORTUGAL www.embalcer.pt	RUSSIA www.omssystems.ru
MAGHREB contact@omsmaghreb.com	SINGAPORE www.omssin.com.sg	BRASIL www.omsbr.com.br	USA www.greenbridge.com	AUSTRALASIA www.omsaus.com.au
THAILAND www.omsthai.com	UK www.gordianstrapping.co.uk	AUSTRIA www.riegler-verpackungstechnik.com	BENELUX www.certis.be	FRANCE www.getra.fr
UAE / OMAN / KUWAIT www.consentplastic.ae	DENMARK www.walpak.dk	FINLAND www.telpak.fi	MEXICO enrico@italcer.net	ARGENTINA www.exim-consult.com
ISRAEL www.mmts.co.il	TUNISIA www.toupackgroup.com	VIETNAM sales_advance@hcm.fpt.vn	SOUTH AFRICA www.futurepack.co.za	

For additional details, visit: www.omsspa.com/en/the-group



Officina Meccanica Sestese S.p.A.

📍 Via Borgomanero, 44 - 28040 Paruzzaro (NO)

☎ Tel.+39 0322 541411 - Fax +39 0322 53157

🌐 www.omsspa.com ✉ info@omsspa.com