



NEW GENERATION

# VYBRO PLUS

Friction Sealing Technology



## Applications



Paper



Cardboard



Plastic/Cans



Glass



Bags



Waste

# VYBRO Plus

The VYBRO Plus model strapping head, with its innovative Friction Seal Technology, represents the ultimate state-of-the-art in the field of strapping heads.

Thanks to its compact size and reduced weight, the new vibration head is easy to move for maintenance and replacement. No waste of time during exchange or maintenance.

## Advantages

- Innovative Friction Seal Technology
- High Performance
- Very compact
- Very easy to handle
- Can be exchanged (without tools) for maintenance in less than 60 secs.
- Reliable seals on PP or PET strap

## Technical data

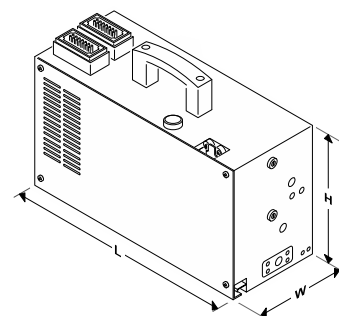
Strap	
Type of strap	Polyester (PET) Polypropylene (PP)
Width	9 ÷ 12 mm
Thickness	0,4 ÷ 0,6 mm
Tensioning	Up to 1500 N with HMI adjustment

Max feeding and recovery speed	5,5 m/s
Utilization temperature	+5° ÷ +50° C
Noise level	< 70 dB
Option	Automatic strap refeeding device



## Dimensions

- L 400 mm
- H 240 mm
- W 160 mm
- Weight 25 kg



Industrial quick connectors for fast replacement.



Installation on a vertical strapping machine with press (cardboard application)



Officina Meccanica Sestese S.p.A.

Via Borgomanero, 44 - 28040 Paruzzaro (NO)

Tel. +39 0322 541411 Fax +39 0322 53157

www.omsspa.com

info@omsspa.com

As a part of our policy of continuous improvement, we reserve the right to alter design and specifications without prior notice. This brochure is for descriptive purpose only. Some of the items pictured in this brochure are optional and not standard equipment.